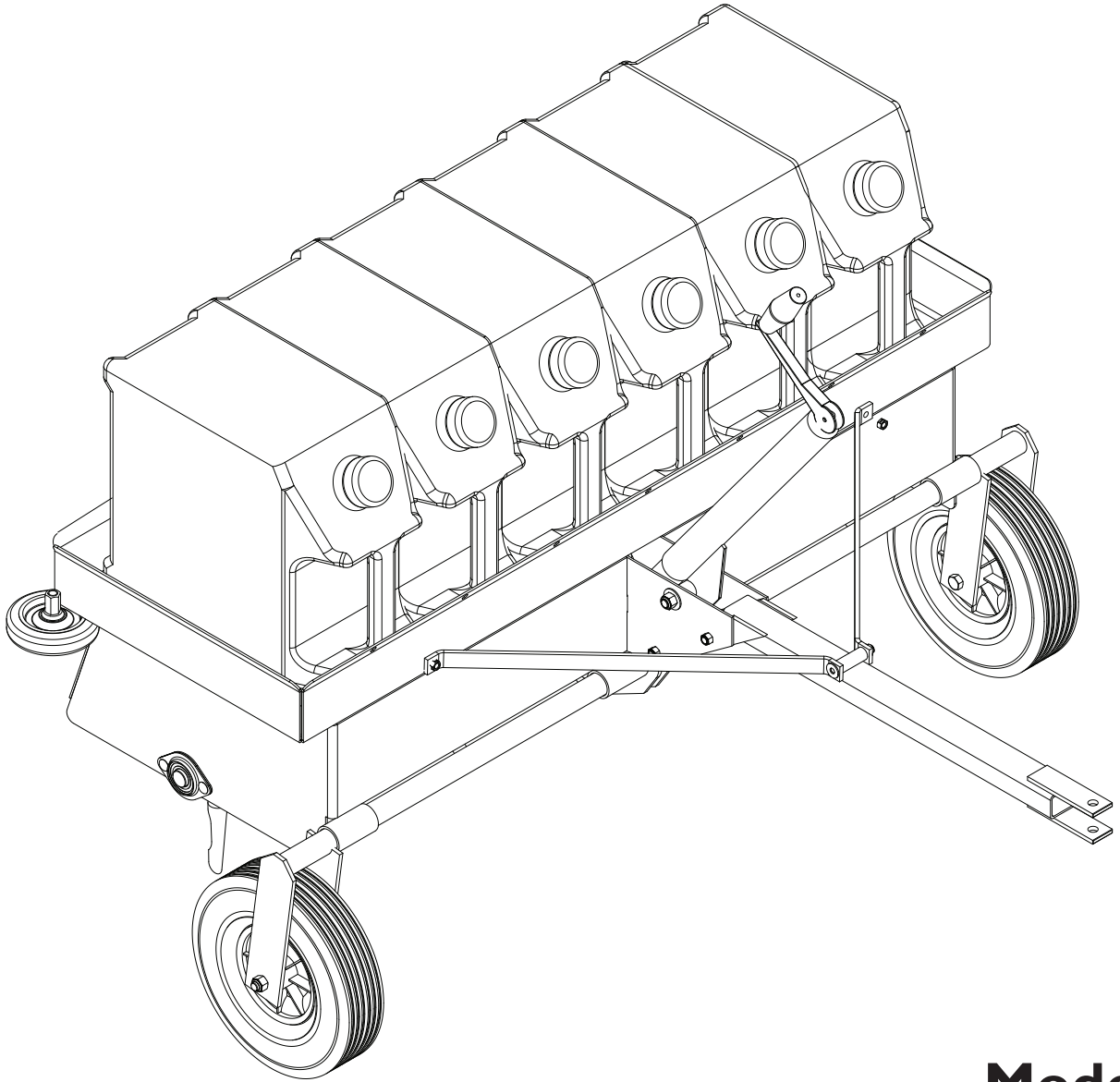


Our associates will ensure the tool works properly before you leave the store. If you experience issues with the tool while completing your project, simply bring it back to the Tool Rental Center to get a replacement. If you purchase Damage Protection at the time of your rental, you are not responsible for repair costs for tools that break due to normal use.



BLUEBIRD

Operator & Parts Manual



Models
TA10 / 968999443

Please read the operator's manual carefully and make sure you understand the instructions before using the machine.

CONTENTS

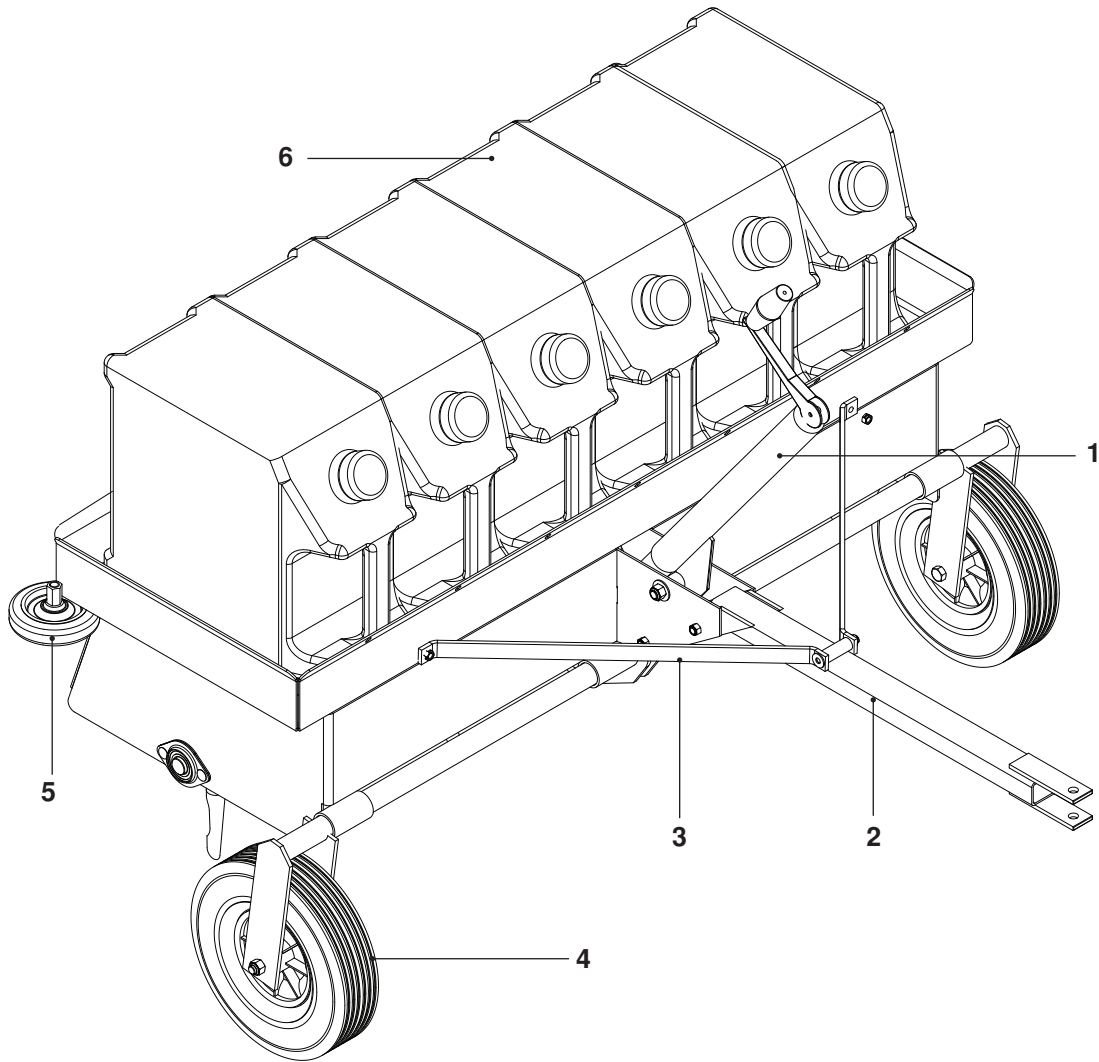
ASSEMBLY	4
OPERATION AND MAINTENANCE	8
SPECIFICATIONS	
TA10	9

NOTE: ALL FASTENERS ARE GRADE 5 UNLESS OTHERWISE SPECIFIED.

ASSEMBLY

Congratulations! You have just purchased the BlueBird Towable Aerator - a precision-engineered product designed to provide maximum aeration performance and flexibility. Only a few simple steps are required

to fully assemble the aerator. Please read these instructions before beginning assembly. Assembly by two people is recommended. If you have questions, please contact your BlueBird dealer or distributor.



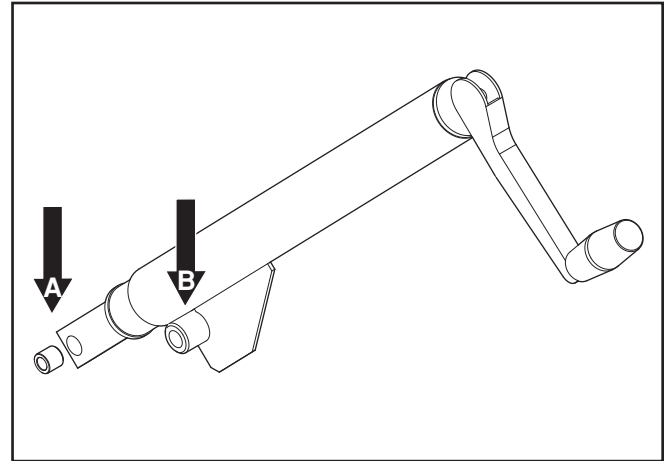
1. Jack Lift Assembly
2. Tow Bar
3. Tie Bars (TA12 Only)
4. Transport Wheels
5. Tip Wheel
6. Weight Containers (Optional)

ASSEMBLY

TOOLS REQUIRED

- $\frac{3}{4}$ " Wrench (2)
- $\frac{9}{16}$ " Deep-well Socket (1)
- $\frac{9}{16}$ " Wrench (1)
- $\frac{1}{2}$ " Wrench (2)

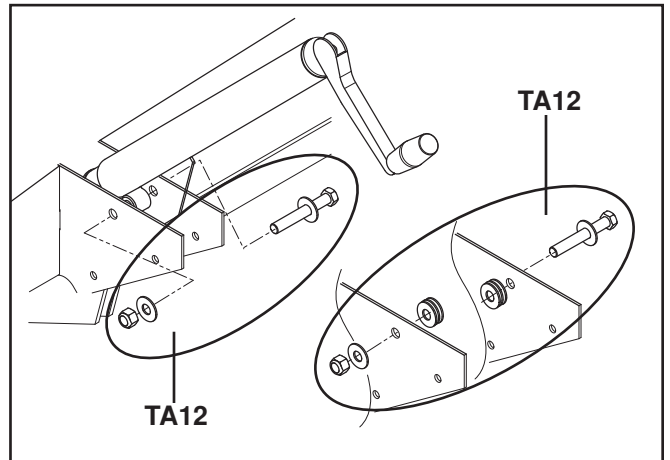
1. Check for any signs of damage that may have occurred during shipment
2. To install jack lift assembly, tip the aerator onto the back edge. Install the bushing in the hole (A) near end of the jack lift assembly.



8060-062

Insert the jack shaft bushing

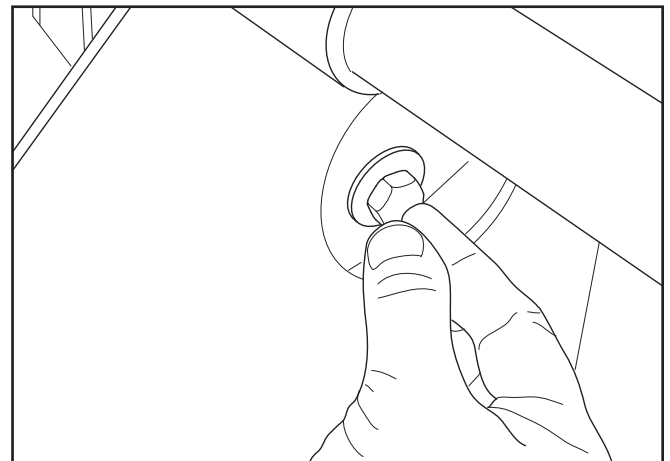
3. Slide lift jack assembly between the two frame mount brackets and align frame mount hole (B) with the lift assembly hole. Secure the assembly at hole (B) to the frame brackets using a $\frac{1}{2}$ -13 bolt, $\frac{1}{2}$ " washers and a $\frac{1}{2}$ " lock nut.



8060-089

Attach the jack assembly to the frame mount

4. Align jack lift assembly hole (A) with clearance holes in frame and attach using $\frac{3}{8}$ -16 x $1\frac{1}{2}$ bolt, washers and nut. Tighten the $\frac{1}{2}$ " bolt and $\frac{3}{8}$ " bolt securely. The $\frac{3}{8}$ " bolt will require a $\frac{9}{16}$ " deep-well socket wrench.

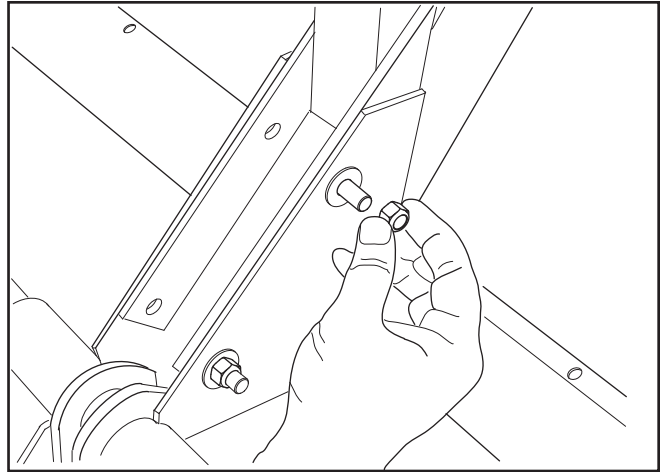


8060-066

Clearance hole in frame

ASSEMBLY

- Slide the tongue into the frame mount bracket and align holes.
- Fasten the tongue to the frame with four $\frac{3}{8}$ " x 1" bolts, washers and lock nuts. The washers should be fitted to the outside of the frame as shown. Tighten securely with a socket wrench.

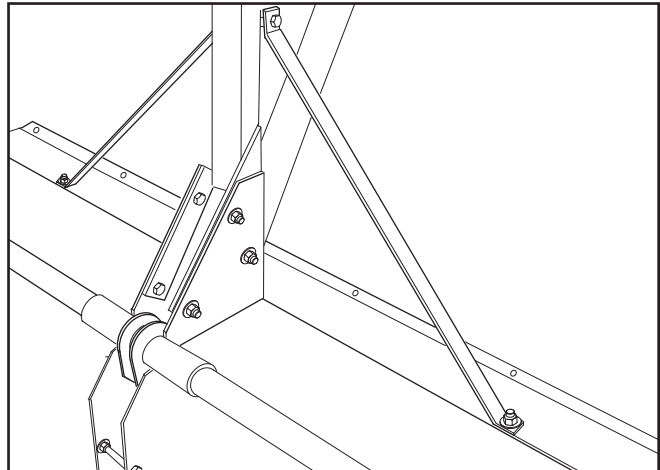


8060-067

Secure tow bar to frame

TA12 Tie Bars

- Attach the tie bars to the aerator bed on each side of the tongue.



8060-068

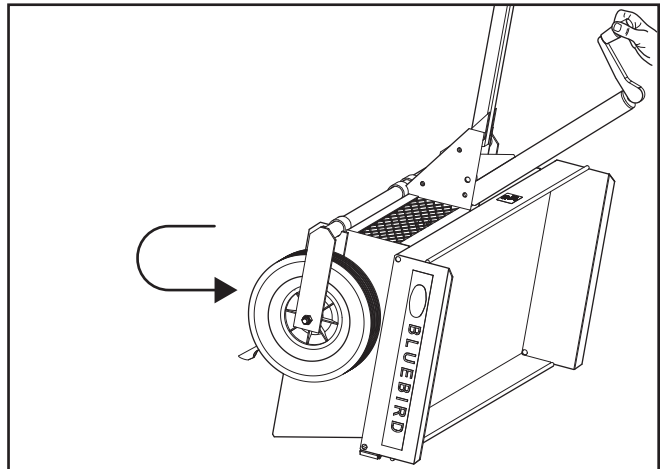
TA12 tie bars

- While the aerator is still in the tipped position, test the operation of jack lift assembly by raising the transport wheels to highest position.
- Lower the transport wheels fully and set the unit into the operating position.



CAUTION!

The wheels should be fully extended or fully retracted. NEVER operate with wheels partially retracted, damage to the jack could result.



8060-068

TA12 tiebars

ASSEMBLY

10. Add a small amount of oil to the lift jack. Oil should be added after every 25 hours of operation and after washing the unit.



WARNING!

TA12 KICKSTAND

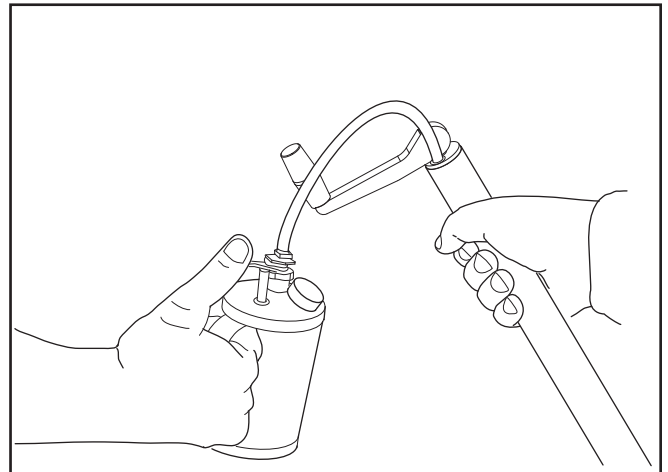
Failure to lower kickstand before detaching unit from tractor may cause unit to tip backwards quickly, causing personal injury.



CAUTION!

TA12 KICKSTAND

Always raise the kickstand before towing the unit. Towing with the kickstand down will cause damage.

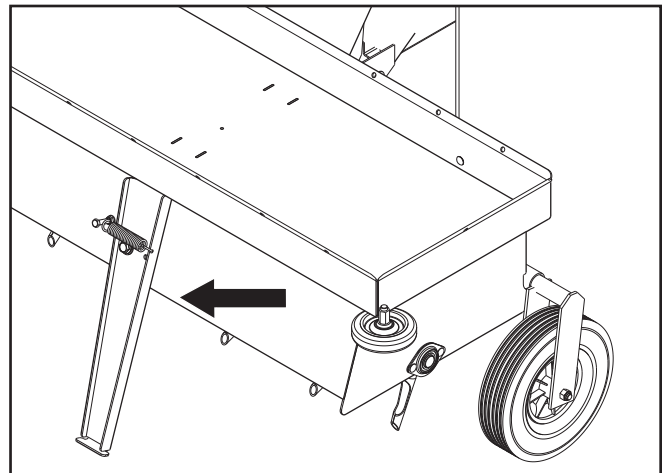


8060-071

Add oil to the lift jack

TA12 Kickstand

11. Before removing aerator from tractor and storing, park the unit on a hard, flat surface and lower the kick stand.



8060-113

TA12 Kickstand

OPERATION AND MAINTENANCE

To increase the depth of ground penetration, weights may be added into pan up to the limits shown in the specification section. Secure the weights into the pan if the unit is used on rough ground or on angled surfaces. Remove the weights from the pan before

unhooking the aerator from the tractor.

When replacing worn or damaged tines, use included washers and torque to 15 ft./lbs.

SPECIFICATIONS

TA10

Maximum weight in pan	300 lbs.
Empty weight	190 lbs
Minimum horsepower of towing vehicle	16 HP
Tine bolt check	Every 25 hours
Tine bolt torque	15 ft/lbs
Lift jack lubrication	Every 25 hours
Wheel lubrication	Every 100 hours
Aerating pattern	4 ³ / ₈ " x 7"



68 Squirrel Rd
Auburn Hills Mi 48326